

QH-3126HC-N

1MP 720P AHD Camera

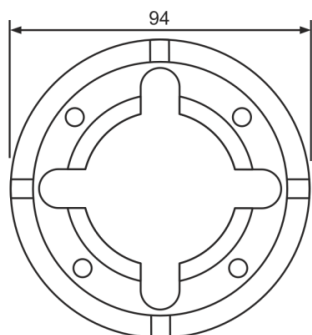
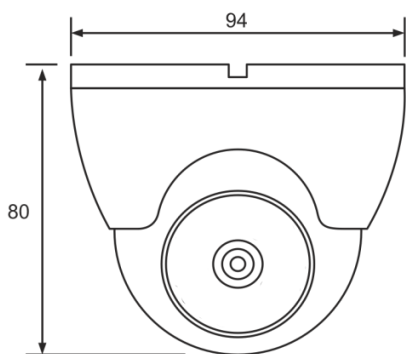
QIHAN
Creation for Intelligent Life



Feature

- Analog HD, 720P,
- Long-distance transmission, None-delay
- Open standard for good compatibility, Easy operation
- High-Integrate for the high-quality reliable transmission

Dimensions



Unit: mm

Technical Specifications

| | |
|-----------------------------------|--|
| Model NO. | QH-3126HC-N |
| VIDEO | |
| Image Device | 1/4" HD CMOS |
| TV System | PAL/NTSC |
| Total Pixels | 1.0M Pixels |
| Effective Pixels | 1280 (H) *720 (V) |
| Scanning System | Progressive |
| Synchronization | Internal |
| Min. Illumination | 0 Lux (LED on) |
| S/N Ratio | >58db |
| Video Output | 1Vp-p,75ohm, BNC |
| LENS | |
| Focal Length | 2.8MM 3.6MM or 6MM Fixed Lens |
| OPERATIONAL(For OSD Model) | |
| LENS | DC/MANUAL |
| Shutter | Auto,1/25-30(FLK) |
| AGC | 0-15 |
| SENS-UP | OFF/Auto |
| Brightness | 0-100 |
| D-WDR | ON/OFF |
| Defog | ON/OFF |
| Backlight | ON/OFF |
| White Bal | ATW/Indoor/Outdoor |
| Day&Night | EXT/Color/B/W/Auto |
| 2DNR/3DNR | Yes |
| Cam Title | Yes |
| D-Effect | Freeze/Mirror |
| Motion | 4 area |
| Privacy | 4 area |
| Language | CHN1/CHN2/GER/FRA/ITA/SPA/POL/RUS/POR/ |
| Defect | Live DPC/White DPC/Black DPC |
| Infrared LED | 24EA |
| IR Distance | 10 ~ 20 Meters |
| IR-CUT | YES |
| Infrared Spectrum | 850nm |
| OPERATIONAL | |
| Operation Temperature | -10℃ ~ +60℃ |
| Storage Temperature | -20℃ ~ +70℃ |
| Water-proof Casing | Vandal proof |
| ELECTRICAL | |
| Max Power | 4.72W |
| Adapter Requirement | DC12V1A |
| MECHANICAL | |
| Color | White |
| Dimensions | 95*73MM |
| Net Weight | 370g/pcs |
| Transmission distance | 500meters(75-3) |