

QH-463SC-NO

2MP 1080P AHD Camera

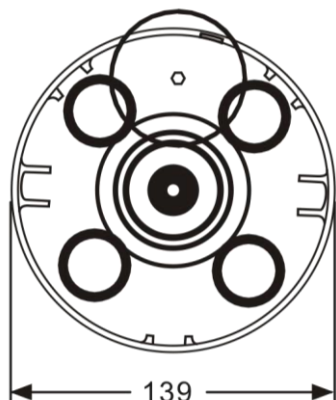
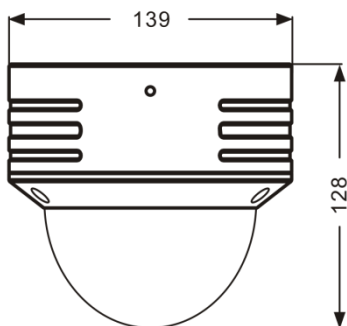
Q.IHAN
Creation for Safe Life



Feature

- Analog HD, 1080P,
- Long-distance transmission, None-delay
- Open standard for good compatibility, Easy operation
- High-Integrate for the high-quality reliable transmission

Dimensions



Unit: mm

Technical Specifications

Model NO.	QH-D463SC-NO
VIDEO	
Image Device	1/2.9" Sony "Exmor" CMOS
TV System	PAL/NTSC
Total Pixels	2.24M Pixels
Resolution	1920(H) *1080(V)
Scanning System	Progressive
Synchronization	Internal
Min. Illumination	0 Lux (LED on)
S/N Ratio	>58db
Video Output	1Vp-p, 75ohm, BNC
LENS	
Focal Length	2.8~12MM MF Fixed Iris Lens
OPERATIONAL(For OSD Model)	
LENS	DC/MANUAL
Shutter	Auto,1/25-30(FLK)
AGC	0-15
SENS-UP	OFF/Auto
Brightness	0-100
D-WDR	ON/OFF
Defog	ON/OFF
Backlight	ON/OFF
White Bal	ATW/Indoor/Outdoor
Day&Night	EXT/Color/B/W/Auto
IR Smart	Yes
2DNR/3DNR	Yes
Cam Title	Yes
Language	CHN1/CHN2/GER/FRA/ITA/SPA/POL/RUS/PO R/NED/TUR
Defect	Live DPC/White DPC/Black DPC
Infrared LED	24 LEDs
IR Distance	10~20m
IR-CUT	YES
Infrared Spectrum	850nm
OPERATIONAL	
Operation Temperature	-10℃~ +60℃
Storage Temperature	-20℃~ +70℃
Water-proof Casing	Plastic
ELECTRICAL	
Max Power	4.74W
Adapter Requirement	DC12V1A
MECHANICAL	
Dimensions	112*112*81MM
Net Weight	240g/pcs
Transmission distance	500meters(75-3)