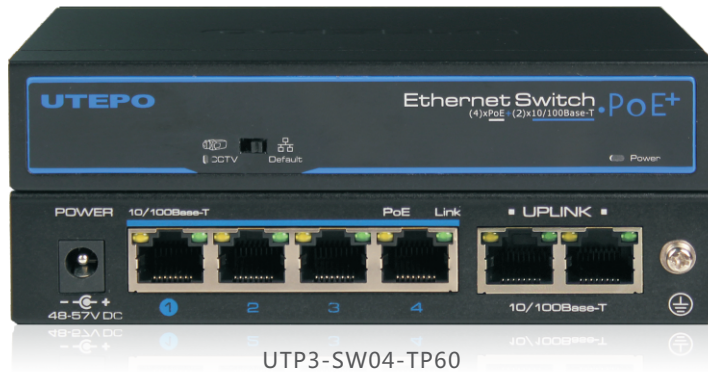


# Dual Uplink Ports One Key CCTV Mode



## Professional Chip Solution

2048 bytes long and high efficient packet forwarding; 55nm manufacturing processes chip with low power consumption and multifunction; 768K large cache design, fluent video effect.

## One Key CCTV Mode

Extend transmission distance up to 250m; VLAN function to insulate communication among ports and ensure a higher forwarding efficiency and securer system; auto-identify and restrain Network storm under 2M, maintain a safe and stable network.

## Multi-layer Lightning Protection

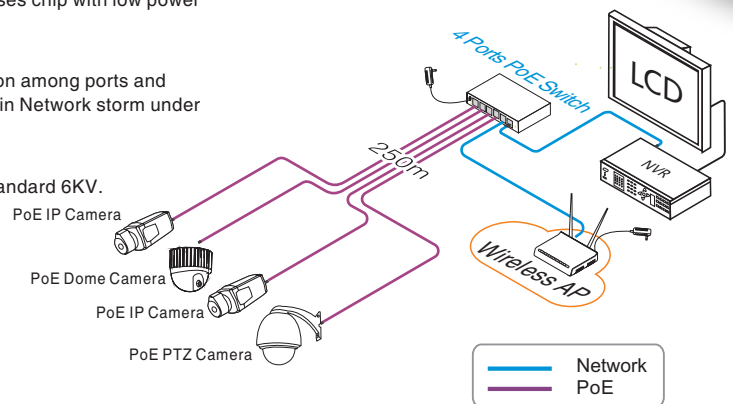
Advanced PoE technology with multi-layer lightning protection up to level 4 IEC standard 6KV.

## Innovative Dual Uplink Ports

Innovative 100Mbps downlink ports and dual 100Mbps uplink ports design. One piece of Switch is a set of small typed surveillance transmission system which could not only meet needs of HD security cameras access, but also meet needs of local NVR storage or network access.

## POE+ Standard

Adopt high power output, Max. 30W for each port, meet power needs of most cameras and Network access equipments.



## SHENZHEN UTEPO TECH CO., LTD

Add of Office: 5/F, Western Block, M-8 Building, Mid-section of Hi-tech Industrial Park, Nanshan District, Shenzhen, 518057, P.R China  
Tel : 0755-83898016 Fax : 0755-83409500  
E-mail : utp@utpvideo.com QQ : 4007005088

Add of Factory: Fourth Floor, A2 Building, Founder Science& TechnologyPark, Baoan District, Shenzhen, China  
Tel : 0755-26785717  
Post Code : 518108



UTEPO  
QR Code



Wechat  
User Name: utepo

# Ethernet Switch Selection Table

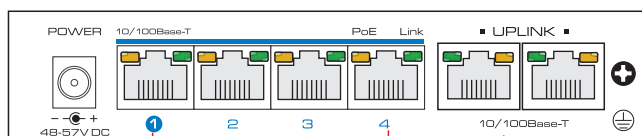
## Front



Surveillance mode indicated light normally on

Power indicated light

## Back











Power input port



PoE downlink Ethernet ports

Ethernet ports

Ground

Security-purpose Ethernet Switch	Item	Picture Model	Voltage	Port Setting	Backplane Bandwidth	Packet Forwarding Rate	Protection	Operating Temperature
	4 Ports Ethernet Switch		UTP3-SW04-TX	DC 5V-12V	1-4 Ports: 10/100Mbps Ethernet port Uplink: 10/100Mbps Ethernet port	1G	0.75Mpps	Level 3 Per: IEC61000-4-5 Level 3 Per: IEC61000-4-2
4 Ports Ethernet Switch		UTP3-SW04-FX	DC 5V-12V	1-4 ports: 10/100Mbps Ethernet port Uplink: 100Mbps dual fiber SC port	1G	0.75Mpps	Level 3 Per: IEC61000-4-5 Level 3 Per: IEC61000-4-2	Working:0°C-55°C Storage: -40°C-85°C Humidity:0-95%
8 Ports Ethernet Switch		UTP3-SW08-TX	DC 5V-12V	1-8 ports: 10/100Mbps Ethernet port Uplink: 10/100Mbps Ethernet port	1.8G	1.34Mpps	Level 3 Per: IEC61000-4-5 Level 3 Per: IEC61000-4-2	Working:0°C-55°C Storage: -40°C-85°C Humidity:0-95%
8 Ports Ethernet Switch		UTP3-SW08-FX	DC 5V-12V	1-8 ports: 10/100Mbps Ethernet port Uplink: 100Mbps dual fiber SC port	1.8G	1.34Mpps	Level 3 Per: IEC61000-4-5 Level 3 Per: IEC61000-4-2	Working:0°C-55°C Storage: -40°C-85°C Humidity:0-95%

Security-purpose PoE Switch	Item	Picture Model	Voltage	POE	Port Setting	Backplane Bandwidth	Packet Forwarding Rate	Protection	Operating Temperature
	4 Ports PoE Switch	 <span style="color:red">Upgrade</span>	UTP3-SW04-TP60	DC 48V-57V	Each port <30W Total <60W	1-4 ports: 10/100Mbps Ethernet port Dual uplink: 10/100Mbps Ethernet port	1G	0.75Mpps	Level 3 Per: IEC61000-4-5 Level 3 Per: IEC61000-4-2
4 Ports PoE Switch		UTP3-SW04-FP60	DC 48V-57V	Each port <30W Total <60W	1-4 ports: 10/100Mbps Ethernet port Uplink: 100Mbps Dual fiber SC port	1G	0.75Mpps	Level 3 Per: IEC61000-4-5 Level 3 Per: IEC61000-4-2	Working:0°C-55°C Storage: -40°C-85°C Humidity:0-95%
8 Ports PoE Switch		UTP3-SW08-TP120	DC 48V-57V	Each port <30W Total <120W	1-8 ports: 10/100Mbps Ethernet port Uplink: 10/100Mbps Ethernet port	1.8G	1.34Mpps	Level 3 Per: IEC61000-4-5 Level 3 Per: IEC61000-4-2	Working:0°C-55°C Storage: -40°C-85°C Humidity:0-95%
8 Ports PoE Switch		UTP3-SW08-FP120	DC 48V-57V	Each port <30W Total <120W	1-8 ports: 10/100Mbps Ethernet port Uplink: 100Mbps Dual fiber SC port	1.8G	1.34Mpps	Level 3 Per: IEC61000-4-5 Level 3 Per: IEC61000-4-2	Working:0°C-55°C Storage: -40°C-85°C Humidity:0-95%

Managed PoE Switch	Item	Picture Model	Voltage	POE	Port Setting	Backplane Bandwidth	Packet Forwarding Rate	Protection	Operating Temperature
	16 Ports Managed PoE Switch		UTP3-SW16-TP300	AC 100V-240V	Each port <30W Total <300W	1-16 ports: 10/100Mbps Ethernet port Uplink: 1000Mbps Ethernet port	9G	5.33Mpps	Level 3 Per: IEC61000-4-5 Level 3 Per: IEC61000-4-2
24 Ports Managed PoE Switch		UTP3-SW24-TP420	AC 100V-240V	Each port <30W Total <420W	1-24 ports: 10/100Mbps Ethernet port Uplink: 1000Mbps Ethernet port	11G	6.52Mpps	Level 3 Per: IEC61000-4-5 Level 3 Per: IEC61000-4-2	Working:0°C-55°C Storage: -40°C-85°C Humidity:0-95%