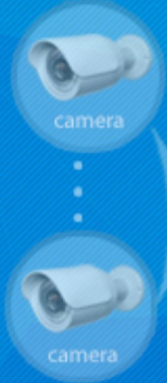
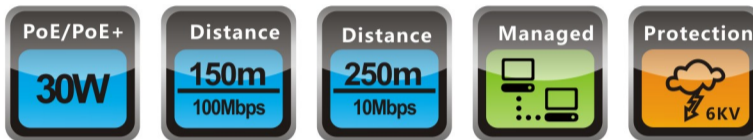


## “THIS” is all you need for small typed surveillance transmission system

Practical 100Mbps downlink ports and dual Gigabit uplink ports design  
Work well on both local storage and network access



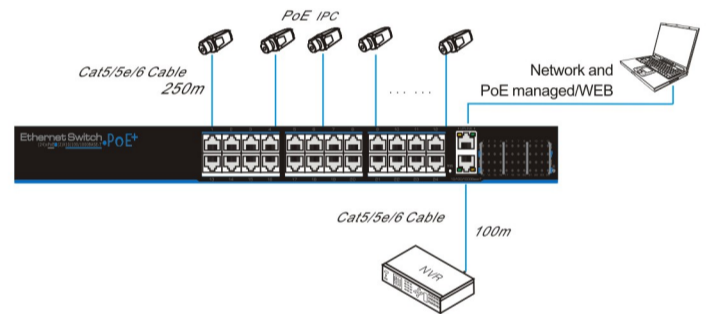
24 Ports Managed PoE Switch UTP3-SW24-TP420



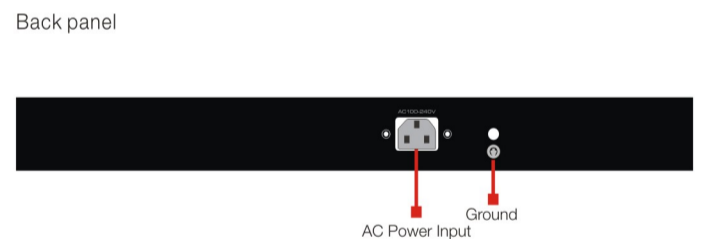
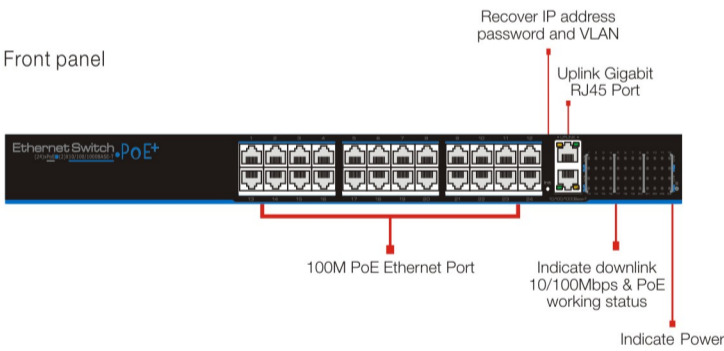
### KEY FEATURES

- RJ45 Ports with 30u Gold-plated Flattened Pins
- No Frame Loss IP Data Transmission
- PoE+ Standard 250m in One-key CCTV Mode
- Easy Remote Management
- 6KV Lightning Protection

### APPLICATION



### BOARD DIAGRAM



### SPECIFICATIONS

Item	Description	
<b>Products</b>	24 Ports PoE Ethernet Switch	
<b>Power</b>	Power Supply	Mains on load
	Voltage Range	AC 100~240V
	Consumption	420W
<b>Network Connector</b>	Ethernet Port	1 ~ 24 Ports: 10/100Mbps Ethernet port, adaptive control UPLINK Ethernet port: 10/100/1000Mbps Ethernet port
	Transmission Distance	1 ~ 24 ports: Recommended 120m Max. 150m; Uplink 1000Mbps Ethernet port: Max. 100m
	PoE Protocol	IEEE802. 3af, IEEE802. 3at
	PoE Power Supply	End-span
	PoE Power Consumption	EachPort≤30W, Total ≤370W
<b>Network Switch</b>	Network Standard	IEEE802. 3 10BASE-T, IEEE802. 3u 100BASE-TX, IEEE802. 3ab 1000BASE-T
	Switch Capacity	11G
<b>Management</b>	Management	Management L2
<b>Protection</b>	ESD	Level 3, Per: IEC61000-4-2
	Communication Port Lighting Protection	Level 3, Per: IEC61000-4-5
<b>Environmental</b>	Working Temperature	0°C ~55°C
	Storage Temperature	-40°C ~85°C
	Humidity	0~95%
<b>Mechanical</b>	Dimension (LxWxH)	442mmx224mmx44.5mm
	Material	Sheet metal
	Color	Black
	Weight	2.69kg