

High Level Box Camera

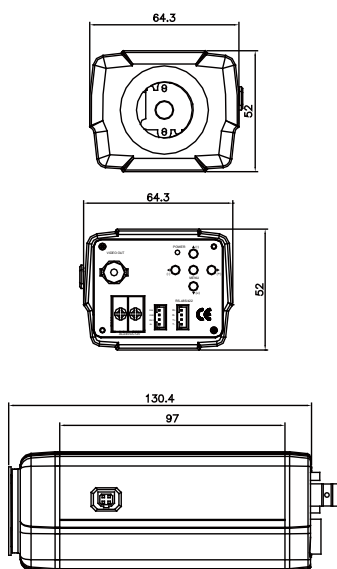
RYK-S601, S501

FEATURES

- Effio-S/P Platform
- Sony High-Resolution 960H CCD
- 700TV Line
- Built-in IR-Cut Removable (ICR) Model
- C/CS Mount
- OSD Interface
- DC12V/AC24V Dual Power
- RS485 and DI/O Interface
- Color Adjustment
- Optional: 100~240V AC Power



DIMENSIONS



SPECIFICATIONS

Model No.	RYK-S501DD	RYK-S601DD	
VIDEO	Image Device	1/3" Color Sony Exview HAD II CCD	1/3" Color Sony Super HAD II Double-Density CCD
	Picture Elements	NTSC:976x494, PAL:976x582	
	Resolution (Frame Rates)	700 TVL	
	Illumination	0.005 Lux @ F1.2 Color Mode	0.01 Lux @ F1.2 Color Mode
	S/N Ratio	More than 50dB	
	Electronic Shutter	Auto: 1/50~1/100,000 Manual: 1/50(60), 1/100(120), 1/250, 1/500, 1/1000, 1/3000, 1/5000, 1/100,000	
LENS	Gamma	0.45	
	Iris Control	Auto / Manual	
DAY / NIGHT	IR-Cut filter Removable	Yes	
	Day & Night	Auto / Day / Night / External	
FUNCTIONS	On-Screen-Display (OSD)	Yes	
	Language	English / Simplified Chinese / Traditional Chinese	
	Digital Zoom	16x	
	Wide Dynamic Range (WDR)	N/A	On / Off
	Adaptive Tone Reproduction (ATR)	On / Off	
	Digital Noise Reduction (DNR)	2DNR: On / Off	3DNR: On / Off
	Digital Slow Shutter (DSS)	On / Off	
	Digital Image Stabilization (DIS)	On / Off	
	Color Adjustment	Saturation / Hue / Brightness / Sharpness / Contrast	
	White Balance	Auto / Indoor / Outdoor / Manual / Push Auto	
	Gain Control	Low / High	
	Back Light Comp.	On / Off	
	Flickerless Mode	On / Off	
	Mirror	On / Off	
	Freeze	On / Off (NTSC:1/100, PAL:1/120)	
	Positive / Negative	On / Off	
	Motion Detection	On / Off	
	Privacy Masking	On / Off	
	Camera Title	Yes	
	Camera ID	000~255	
View Mode	CRT / LCD / User		
GENERAL	I/O Interface	1 x D/I, 1 x D/O	
	Remote Control	RS485/422	
	Protocol	Pelco	
	Baud Rate	9600	
	Sync. System	Internal / External Line Lock	
	Video Output	1 Vp-p / 75 Ohms CVBS (BNC)	
	Dimension	64.3x52x130.4mm	
	Power Supply	DC12V / AC24V (Optional:100~240V AC Power)	
	Power Consumption	300mA	
Operating Temp.	-10°C ~ 50°C (14°F to 122°F)		