

# DrayTek

## VigorAP 710

802.11n Access Point



### Quick Start Guide

V1.0

# VigorAP 710

# 802.11n Access Point

## Quick Start Guide

Version: 1.0

(For future update, please visit DrayTek web site)

Date: January 16, 2014

### Warranty

We warrant to the original end user (purchaser) that the router will be free from any defects in workmanship or materials for a period of two (2) years from the date of purchase from the dealer. Please keep your purchase receipt in a safe place as it serves as proof of date of purchase. During the warranty period, and upon proof of purchase, should the product have indications of failure due to faulty workmanship and/or materials, we will, at our discretion, repair or replace the defective products or components, without charge for either parts or labor, to whatever extent we deem necessary to restore the product to proper operating condition. Any replacement will consist of a new or re-manufactured functionally equivalent product of equal value, and will be offered solely at our discretion. This warranty will not apply if the product is modified, misused, tampered with, damaged by an act of God, or subjected to abnormal working conditions. The warranty does not cover the bundled or licensed software of other vendors. Defects which do not significantly affect the usability of the product will not be covered by the warranty. We reserve the right to revise the manual and online documentation and to make changes from time to time in the contents hereof without obligation to notify any person of such revision or changes.

### European Community Declarations

Manufacturer: DrayTek Corp.  
Address: No. 26, Fu Shing Road, HuKou Township, HsinChu Industrial Park, Hsin-Chu, Taiwan 303  
Product: VigorAP 710

DrayTek Corp. declares that VigorAP 710 is in compliance with the following essential requirements and other relevant provisions of R&TTE Directive 1999/5/EEC.

The product conforms to the requirements of Electro-Magnetic Compatibility (EMC) Directive 2004/108/EC by complying with the requirements set forth in EN55022/Class B and EN55024/Class B.

The product conforms to the requirements of Low Voltage (LVD) Directive 2006/95/EC by complying with the requirements set forth in EN60950-1.

### Federal Communication Commission Interference Statement

This equipment has been tested and found to comply with the limits for a Class B digital device, pursuant to Part 15 of the FCC Rules. These limits are designed to provide reasonable protection against harmful interference in a residential installation. This equipment generates, uses and can radiate radio frequency energy and, if not installed and used in accordance with the instructions, may cause harmful interference to radio communications. However, there is no guarantee that interference will not occur in a particular installation. If this equipment does cause harmful interference to radio or television reception, which can be determined by turning the equipment off and on, the user is encouraged to try to correct the interference by one of the following measures:

- Reorient or relocate the receiving antenna.
- Increase the separation between the equipment and receiver.
- Connect the equipment into an outlet on a circuit different from that to which the receiver is connected.
- Consult the dealer or an experienced radio/TV technician for help.

This device complies with Part 15 of the FCC Rules. Operation is subject to the following two conditions:

- (1) This device may not cause harmful interference, and
- (2) This device may accept any interference received, including interference that may cause undesired operation.

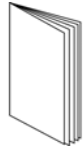
The antenna/transmitter should be kept at least 20 cm away from human body.

This product is designed for 2.4GHz WLAN network throughout the EC region and Switzerland with restrictions in France.

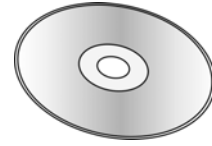


# 1

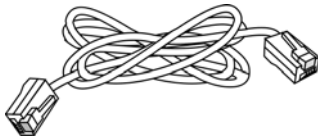
## Package Content



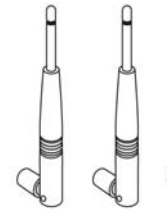
Quick Start Guide



CD

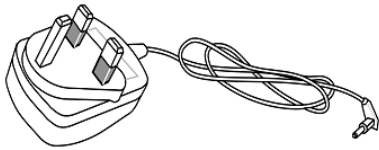


RJ-45 Cable (Ethernet)

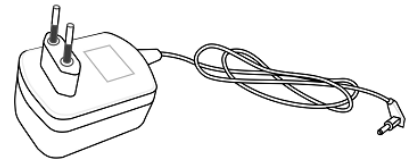


Antenna

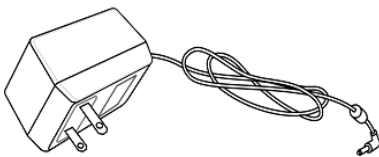
The type of the power adapter depends on the country that the router will be installed:



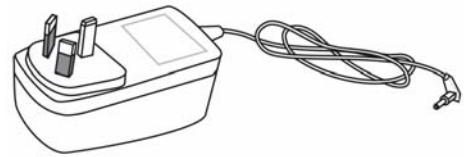
UK-type power adapter



EU-type power adapter



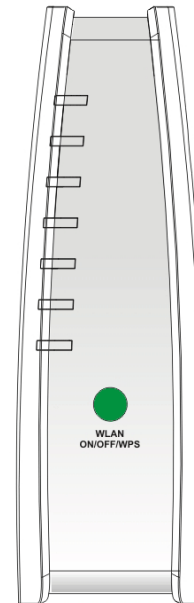
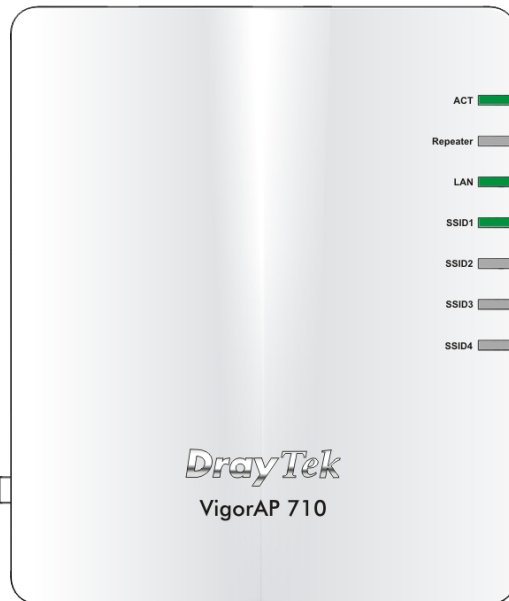
USA/Taiwan-type power adapter



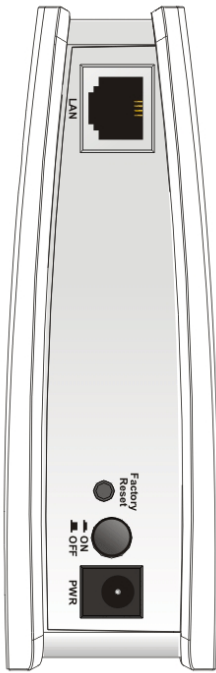
AU/NZ-type Power Adapter




# 2

## LED Indicators and Connectors



LED	Status	Explanation
ACT	Off	The system is not ready or is failed.
	Blinking	The system is ready and can work normally.
Repeater	On	The Repeater mode is on.
	Off	The Repeater mode is off.
LAN	On	LAN is connected.
	Off	LAN is disconnected.
	Blinking	Data is transmitting (sending/receiving).
SSID1 – SSID4	On	The function of SSID is on.
	Off	The function of SSID is off.
WLAN ON/OFF/WPS (Green LED)	On (Green)	Press the button and release it within 2 seconds. When the wireless function is ready, the green LED will be on.
	Off	Press the button and release it within 2 seconds to turn off the WLAN function. When the wireless function is not ready, the LED will be off.
	Blinking (Green)	Data is transmitting (sending/receiving).
WLAN ON/OFF/WPS (Orange LED)	Blinking (Orange)	When WPS function is enabled by web user interface, press this button for more than 2 seconds to wait for client's device making network connection through WPS. When the orange LED blinks with 1 second cycle for 2 minutes, it means that the AP is waiting for wireless client to connect with it.



Interface	Description
LAN	Connector for xDSL / Cable modem or router.
	Restore the default settings. Usage: Turn on the router. Press the button and keep for more than 10 seconds. Then the router will restart with the factory default configuration.
	ON/OFF: Power switch.
	PWR: Connector for a power adapter.

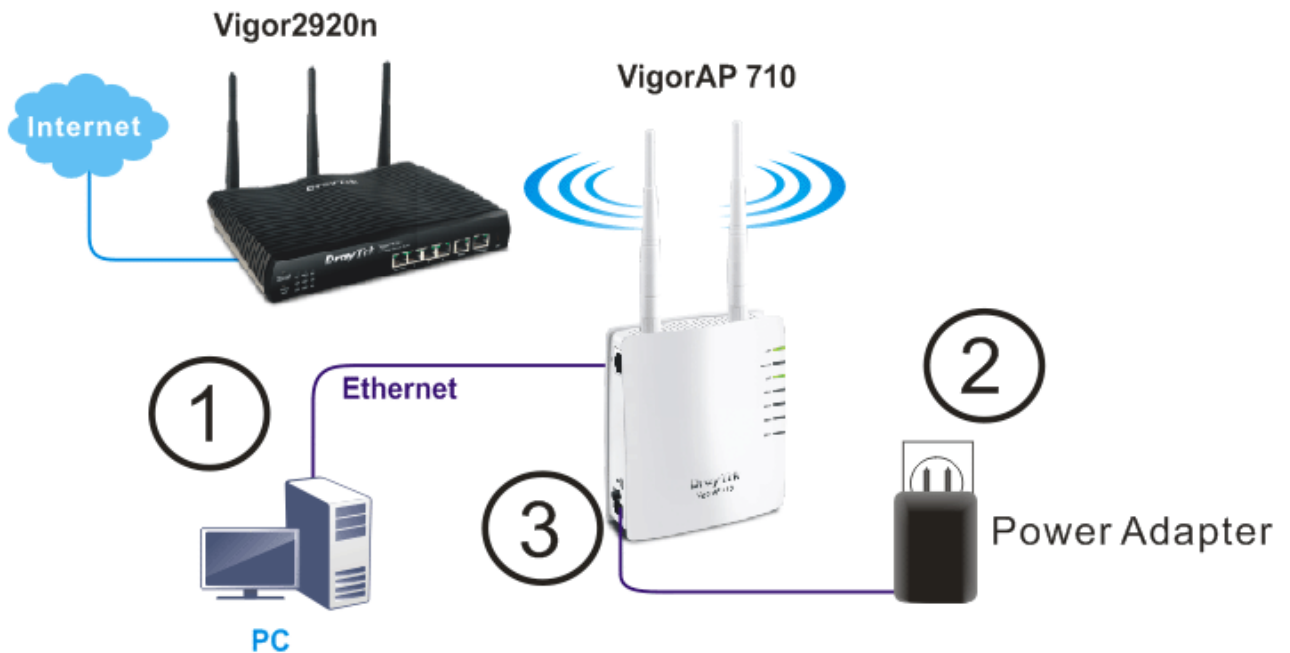
# 3

## Installing Your Router

This section will guide you to install the AP through hardware connection and configure the settings through web browser.

Before starting to configure the router, you have to connect your devices correctly.

1. Connect a computer to other available LAN port. Make sure the subnet IP address of the PC is the same as VigorAP 710 management IP, e.g., **192.168.1.X**.
2. Connect the A/C power adapter to the wall socket, and then connect it to the PWR connector of the access point.
3. Power on VigorAP 710.
4. Check all LEDs on the front panel. **ACT** LED should be steadily on.



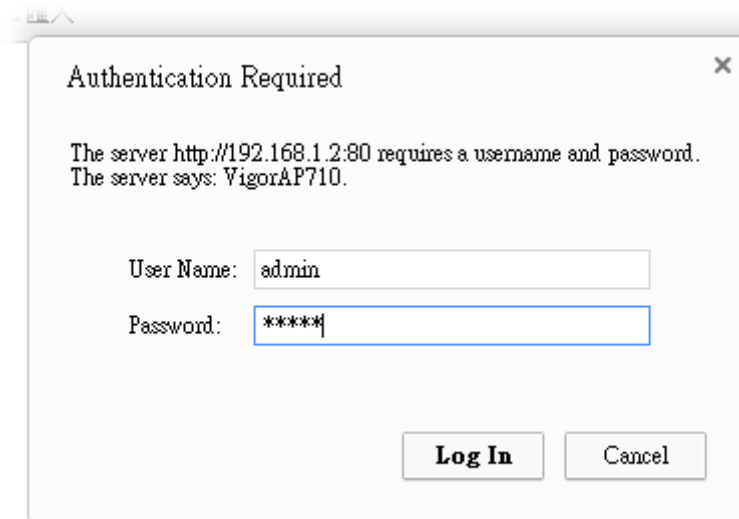
# 4

## Configuring Web Pages

The **Operation Mode** is designed for you to easily set up your router for Internet access.

**Note:** Such VigorAP is treated as DHCP client. So, if it is connected as the figure on the previous page, the default IP will be changed and assigned by the DHCP server of Vigor router.

1. Make sure your PC connects to the router correctly.
2. Open a web browser on your PC and type **http://192.168.1.2** (for stand-alone installation). A pop-up window will open to ask for username and password. Please type “admin/admin” on Username/Password and click **Log In**.



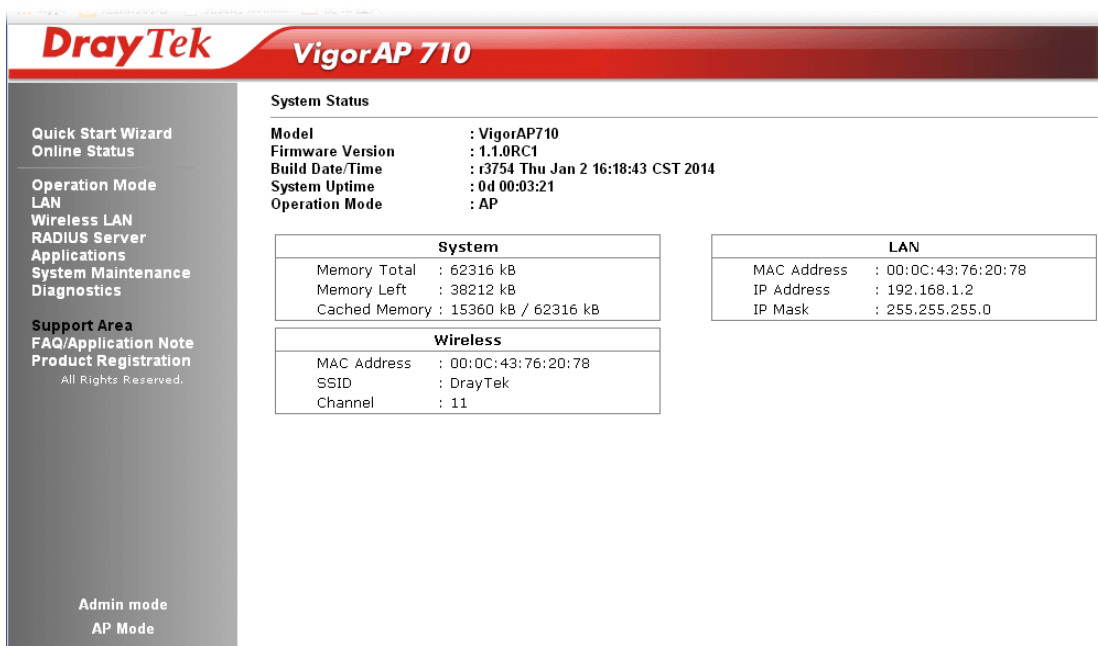
Authentication Required

The server http://192.168.1.2:80 requires a username and password.  
The server says: VigorAP710.

User Name:

Password:

3. The **Main Screen** will pop up. Click **Quick Start Wizard**.



**DrayTek VigorAP 710**

System Status

Model : VigorAP710  
Firmware Version : 1.1.0RC1  
Build Date/Time : r3754 Thu Jan 2 16:18:43 CST 2014  
System Uptime : 0d 00:03:21  
Operation Mode : AP

System	
Memory Total	: 62316 kB
Memory Left	: 38212 kB
Cached Memory	: 15360 kB / 62316 kB

LAN	
MAC Address	: 00:0C:43:76:20:78
IP Address	: 192.168.1.2
IP Mask	: 255.255.255.0

Wireless	
MAC Address	: 00:0C:43:76:20:78
SSID	: DrayTek
Channel	: 11

Quick Start Wizard  
Online Status

Operation Mode  
LAN  
Wireless LAN  
RADIUS Server  
Applications  
System Maintenance  
Diagnostics

Support Area  
FAQ/Application Note  
Product Registration  
All Rights Reserved.

Admin mode  
AP Mode

4. The first page is set for 2.4G wireless connection. There are several operation modes for you to choose. Simply click any one of modes. In this example, choose **AP** and click **Next**.

Quick Start Wizard >> 2.4G Wireless

Operation Mode :    
   
AP Bridge-Point to Point  
AP Bridge-Point to Multi-Point  
AP Bridge-WDS  
Universal Repeater

Wireless Mode :    Enable 2 Subnet (Simulate 2 APs)

Main SSID :

Channel :

Extension Channel :

Station List :

5. For the SSID configuration, choose the mode you want and type related information for client authentication. Then, click **Next**.

Quick Start Wizard >> 2.4G Security

SSID 1	SSID 2	SSID 3	SSID 4
SSID			
DrayTek			
<b>Wireless Security Settings</b>			
Mode	<input type="text" value="Mixed(WPA+WPA2)/PSK"/> <input type="button" value="v"/>		
WPA Algorithms	<input type="radio"/> TKIP <input type="radio"/> AES <input checked="" type="radio"/> TKIP/AES		
Pass Phrase	<input type="text" value="....."/>		
Key Renewal Interval	<input type="text" value="3600"/>	seconds	
PMK Cache Period	<input type="text" value="10"/>	minutes	
Pre-Authentication	<input checked="" type="radio"/> Disable <input type="radio"/> Enable		



6. In the next page, click **Finish**. The system will make a connection automatically.

#### Quick Start Wizard

---

#### Vigor Wizard Setup is now finished!

Basic Settings for VigorAP is completed.

Press Finish button to save and finish the wizard setup.

Note that the configuration process takes a few seconds to complete.

< Back

Finish

Cancel

Open **Online Status** to see the result of network connection. Now, VigorAP 710 is ready for any station to connect for accessing Internet.

## Contacting Your Dealer

If the router still cannot work correctly after trying many efforts, please contact your dealer for further help right away. For any questions, please feel free to send e-mail to [support@draytek.com](mailto:support@draytek.com).

#### Safety Instructions

- Read the installation guide thoroughly before you set up the router.
- The router is a complicated electronic unit that may be repaired only by authorized and qualified personnel. Do not try to open or repair the router yourself.
- Do not place the router in a damp or humid place, e.g. a bathroom.
- The router should be used in a sheltered area, within a temperature range of +5 to +40 Celsius.
- Do not expose the router to direct sunlight or other heat sources. The housing and electronic components may be damaged by direct sunlight or heat sources.
- Do not deploy the cable for LAN connection outdoor to prevent electronic shock hazards.
- Keep the package out of reach of children.
- When you want to dispose of the router, please follow local regulations on conservation of the environment.